

Technical data sheet

Product features



Lava stone grill drop-in gas 38x52

Model	SAP Code	00013942
--------------	-----------------	----------



- Top type: Grooved
- Grid size [mm x mm]: 320 x 520
- Container for liquid fat: Yes
- Removable rim: Yes
- Removable grid: Yes
- Ignition: Electric

SAP Code	00013942	Loading	230 V / 1N - 50 Hz
Net Width [mm]	500	Power gas [kW]	9.000
Net Depth [mm]	700	Type of gas	Natural gas, propane butane
Net Height [mm]	330	Grid size [mm x mm]	320 x 520
Net Weight [kg]	51.00	Top type	Grooved
Power electric [kW]	0.010		

Technical data sheet

Technical drawing

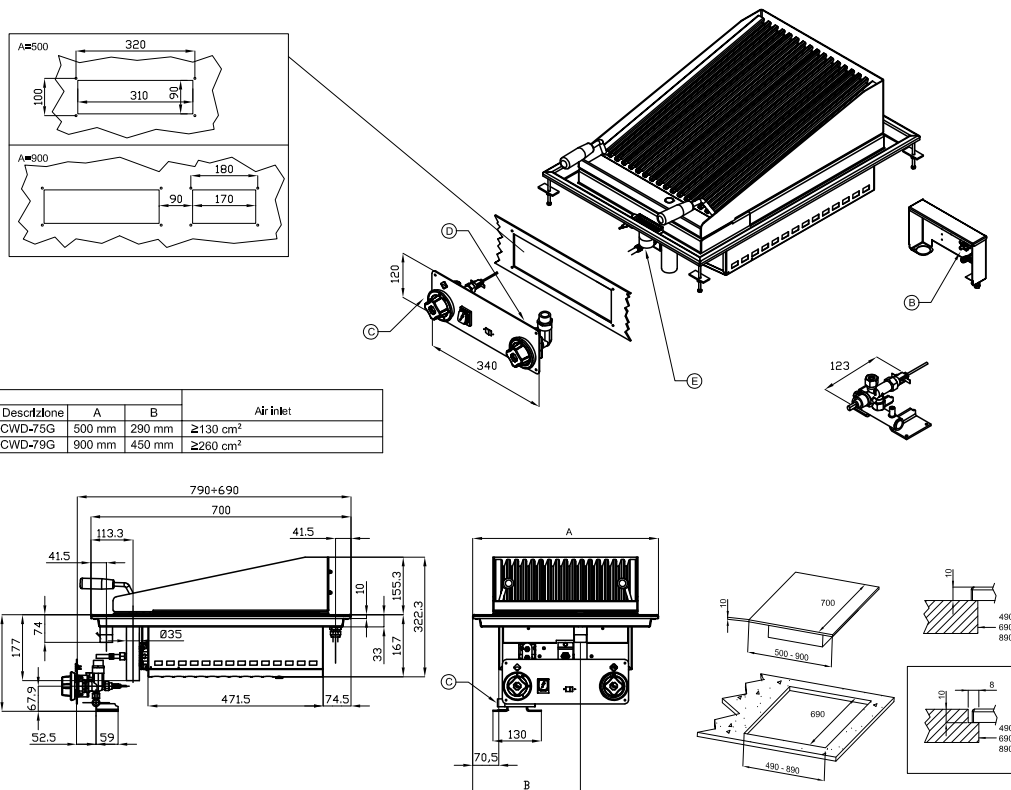


Lava stone grill drop-in gas 38x52

Model

SAP Code

00013942



Descrizione	A	B	Air inlet
CWD-75G	500 mm	290 mm	≥130 cm ²
CWD-79G	800 mm	450 mm	≥260 cm ²

A	Data plate		B	Electrical connection	
C	Gas connection	ISO 7-1 1/2" M	D	Cold water connection	ISO 7-1 1/2" F
E	Water drainage	ISO 7-1 1" M			

Technical data sheet

Technical parameters



Lava stone grill drop-in gas 38x52

Model

SAP Code

00013942

1. SAP Code:

00013942

2. Net Width [mm]:

500

3. Net Depth [mm]:

700

4. Net Height [mm]:

330

5. Net Weight [kg]:

51.00

6. Gross Width [mm]:

630

7. Gross depth [mm]:

770

8. Gross Height [mm]:

540

9. Gross Weight [kg]:

61.00

10. Device type:

Gas unit

11. Construction type of device:

Drop-in

12. Power electric [kW]:

0.010

13. Loading:

230 V / 1N - 50 Hz

14. Power gas [kW]:

9.000

15. Ignition:

Electric

16. Type of gas:

Natural gas, propane butane

17. Protection of controls:

IPX5

18. Material:

Stainless steel

19. Standard equipment for device:

comes with a meat grate and a pack of lava stones

20. Power control type:

knob control

21. Grid material:

Stainless steel

22. Service accessibility:

Trough the frontal panel

23. Safety element:

thermocouple safety feature

24. Safety thermocouple:

Yes

25. Adjustable feet:

Yes

26. Additional information:

Option to order a fish grate

27. Container for liquid fat:

Yes

28. Removable rim:

Yes

Technical data sheet

Technical parameters



Lava stone grill drop-in gas 38x52

Model	SAP Code	
		00013942

29. Removable grid:

Yes

32. Top type:

Grooved

30. Grid size [mm x mm]:

320 x 520

33. Connection to a ball valve:

1/2

31. Removable burner:

Yes